

migra MPB Interbus

Large Format, Graphics Compatible Display with InterBus Interface

User's Manual



migra MPB Interbus

Large Format, Graphics Compatible Display with InterBus Interface

Table of Contents

1	GENERAL	4
2	APPLICATION EXAMPLE	4
3	TECHNICAL DATA	5
3.1	Tips and Tricks	6
3.2	Device Configuration	7
3.3	Display Elements	8
3.4	System and Device Initialisation	9
3.5	Online Frame Layout	10
3.5.1	Header	11
3.5.2	Data Unit	12
3.5.3	Trail	13
3.6	Description of the Data Unit for Online Frames	14
3.6.1	Online Texts	15
3.6.1.1	Selecting a Character Set	15
3.6.1.2	Positioning the Cursor	16
3.6.1.3	Configuring Attributes	16
3.6.2	Texts, Graphics, Variables and Bargraphs	17
3.6.2.1	Querying Text	17
3.6.2.2	Adjusting Speed for Moving Screen Texts	17
3.6.2.3	Querying Graphics	17
3.6.2.4	Querying Variables	18
3.6.2.5	Setting the Variables	18
3.6.2.6	Increasing and Decreasing Variables	19
3.6.2.7	Positioning the Variables	19
3.6.2.8	Querying Bargraphs	20
3.6.2.9	Setting Bargraphs	20
3.6.3	Direct Graphic Control	23
3.6.3.1	Clear Display and Fill	23
3.6.3.2	Setting the Point	23
3.6.3.3	Reading Out the Point from the Display	23
3.6.3.4	Drawing a Rectangle	24
3.6.3.5	Scrolling	25
3.6.3.5.1	Displays with vertical Resolution < 64 Pixels	25
3.6.3.5.2	Displays with vertical Resolution > 64 Pixels	26
3.6.4	General Functions	27
3.6.4.1	Selecting Blinking Period Duration	27
3.6.4.2	Adjusting Brightness	27
3.6.5	Macros	28
3.6.5.1	Start Macro Execution	28

migra MPB Interbus

Large Format, Graphics Compatible Display with InterBus Interface

3.6.5.2	Pause during Macro Execution	28
3.6.5.3	Stop Macro Execution	29
3.7	Response Frames	30
3.8	Multiple ESC-Sequences	31
3.9	Examples	32
3.10	Control via the InterBus Interface	33
3.10.1	User Data – IB Output	33
3.10.2	User Data – IB Input	34
3.10.3	Toggle Byte	34
3.10.4	Interface Data	35
3.10.5	Interbus Frame Layout for Display Control	35
4	CONNECTOR PIN ASSIGNMENTS	37
4.1	Interface Configuration	40
4.2	LEDs	41
4.3	InterBus-Interface	42
5	APPENDIX	44
5.1	Displayable Characters	44
5.2	Maintenance and Care	45
5.3	Declaration of Conformity	46
5.4	Warranty / Liability	47
5.5	Versions Overview	48

migra MPB Interbus

Large Format, Graphics Compatible Display with InterBus Interface

1 General

The large format, graphics compatible display can be used universally for displaying production data, or as an information board.

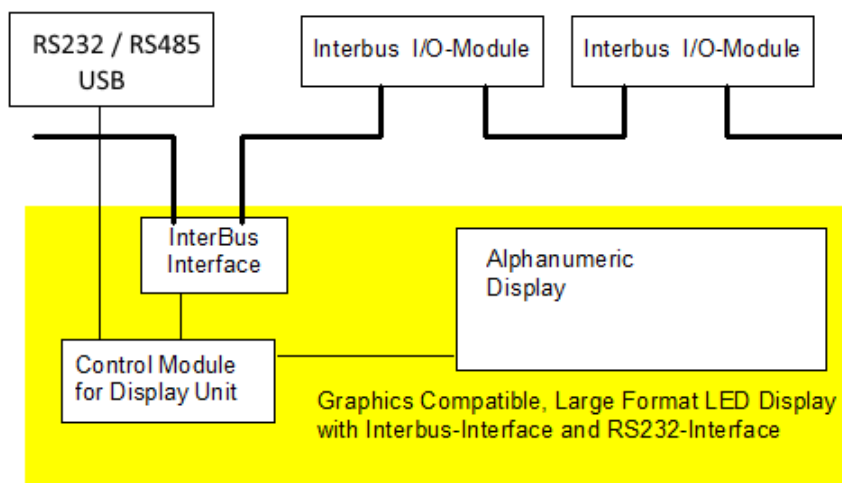
The modular design allows for cost-effective models of various size, and with different character heights and numbers of digits.

Especially important information can be colour-highlighted with the multicolour model (MC).

Display Functions

- Data transmission: InterBus and RS 232-Interface
- Configuration with PC software (via serial port)
- Both texts (different font sizes and types) and graphics can be displayed
- Standard font, flashing font, moving screen text, scrolling, inverse display
- Monitor display, stored texts and graphics can be queried, variables can be displayed, execution of macros
- Variable size thanks to modular display design.

2 Application Example



migra MPB Interbus

Large Format, Graphics Compatible Display with InterBus Interface

3 Technical Data

General Specifications

Display type:	LED dot matrix display (max. 256x128 (HxV))
Display:	ASCII character set (Windows character sets), graphics
Display colour:	type SC: single colour, type MC: multicolour
View:	single or double sided
Operating voltage:	230 V / 50 Hz, 110 V / 60 Hz or 24 VDC +/-20 %
Interface:	InterBus, serial
Housing:	powder coated aluminium
Housing dimensions:	see chapter "device configuration"
Mounting:	articulated arm or hanging mount bracket for wall mounting
Protection:	IP54 or IP65
Operating temp.:	0 to +50 °C (optionally -20 to +50 °C)
Storage temp.:	-25 to +70 °C
Graphics:	max. 1000
Texts:	max. 1000 (max. 255 moving screen texts)
Variables:	max. 1000
Macros:	max. 1000
Character sets:	max. 100

The available flash memory capacity for graphics, texts, variables, character sets and macros depends on the vertical resolution of the display:

- Vertical resolution ≤ 64 Pixel: 64 KByte
- Vertical resolution > 64 Pixel: 448 KByte

migra MPB Interbus

Large Format, Graphics Compatible Display with InterBus Interface

3.1 Tips and Tricks

- When putting on the power supply, the following sequence has to be observed:
 - Connect the power supply cable to the display.
 - Connect the power supply cable to the power supply.
- When disconnecting the power supply, the following sequence has to be observed:
 - Disconnect the power supply cable from the power supply.
 - Disconnect the power supply cable from the display.
- Be sure to use a valid colour when creating texts.
Example: Green lettering may not be used with a red, single colour display (no display appears in this case).
- When selecting x and y coordinates for the purpose of positioning, the desired position must actually exist at the display (resolution in pixels).
- Graphics, texts and variables to be displayed must properly fit into the display unit.

migra MPB Interbus

Large Format, Graphics Compatible Display with InterBus Interface

3.2 Device Configuration

Itemnumber : _____

Number of pixels (horizontal x vertical): _____x_____

Type:

for inside use for outside use

Display colour:

red green yellow
 white blue

View:

single sided double sided

Operating voltage:

230 V / 50 Hz 110 V / 60 Hz 24 V DC

Protection:

IP40 IP54 IP65 IP _____

Operating temperature:

with type for inside use:	with type for outside use:	special version:
<input type="checkbox"/> 0...+50 °C (standard)	<input type="checkbox"/> -20...+50 °C (standard)	<input type="checkbox"/> _____ °C
	<input type="checkbox"/> -25...+50 °C (optional with heating)	

Housing dimensions: _____x_____x_____mm

Housing Material:

Aluminum profile Stainless steel Sheet metal

Interface:

InterBus RS232 RS485 USB

Default settings upon delivery:

InterBus ID: 03H

Device address (RS 232/485): _____ (decimal).

migra MPB Interbus

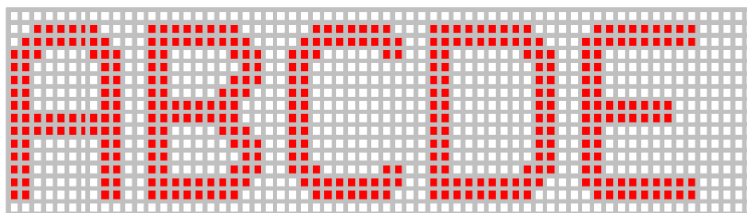
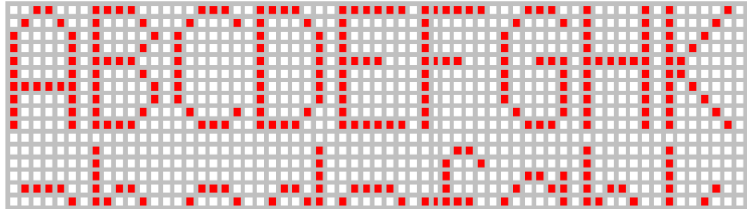
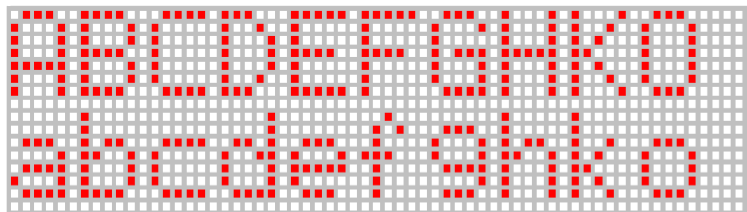
Large Format, Graphics Compatible Display with InterBus Interface

3.3 Display Elements

Alphanumeric display modules with 16 x 16, 64 x 8 or 64 x 16 dot matrices are utilized.

Attention: As far as the software is concerned, there is no difference between modules with 16 pixel lines and modules with 8 pixel lines. The last 8 lines are simply not visible at a module with 8 pixel lines.

The following example depicts a module with 64 x 16 pixels including three different character heights:



migra MPB Interbus

Large Format, Graphics Compatible Display with InterBus Interface

3.4 System and Device Initialisation

Internal memory and functions tests are performed at the large format display during power-up (duration: less than 1 second).

If the display is not illuminated (and if the integrated function LED is slowly blinking, i.e. 0,5 Hz), the device is in boot mode. This indicates that the software currently stored on the integrated flash memory is incomplete. This may have been caused by a previously interrupted upload operation. If this is the case, uploading must be repeated (with the help of included PC software MKS).

A configuration message of the serial Interface appears on the display:

- * Device address (ID)
- * Baud rate
- * Number of data bits.
- * Type of parity bit
- * Number of stop bits

After power-up, the first macro is executed (if one exists). If the display unit is to be cleared again immediately, a corresponding macro must exist!

The display unit then waits for valid output data from the user.

migra MPB Interbus

Large Format, Graphics Compatible Display with InterBus Interface

3.5 Online Frame Layout

Each of the frames transmitted to the Large Format Display consist of 3 parts:

Header	Data Unit	Trail
---------------	------------------	--------------

Frames transmitted to the display are not evaluated by the device until 3 to 240 ms after the last frame byte has been received (depending upon baud rate setting). The pause between the individual frame bytes may not exceed this period of time! The pause between the individual frames must exceed this period of time!

The next frame can be transmitted immediately after the response frame has been received.

If no response frame is used, the Display is not ready to receive a new frame until the last received frame has been completely processed. For example, if a large graphic is displayed, a longer waiting period is required than would be the case for reading out an "online character". As a rule, a pause of „receiving timeout“ + 150 ms between frames is sufficient.

migra MPB Interbus

Large Format, Graphics Compatible Display with InterBus Interface

3.5.1 Header

STX	DA	SA	FC	LEN-H (optional)	LEN-L (optional)
Start of Text	Destination Address	Source Address	Frame Control	High Nibble Number of Data Bytes	Low Nibble Number of Data Bytes
00000010 _B	1XXXXXXX _B	1XXXXXXX _B	1XXXXXXX _B	1111XXXX _B	1111XXXX _B

STX: Start of text: 02_H

DA: Destination address:
Bit 7 must be set ⇒ possible addresses: 0 to 126_D, 127_D
for broadcast

SA: Source address:
Bit 7 must be set ⇒ possible addresses: 0 to 126_D

FC: Frame control: (control for the communications sequence)
Bit 7: set permanently to 1
Bits 6 - 2: reserved (0)
Bit 1: 0 -> do not use checksum
(do not use LEN-H/L, CHK-H/L)
1 -> use checksum
(use LEN-H/L, CHK-H/L)
Bit 0: 0 -> do not send response
1 -> send response (no response possible if controlled via InterBus).

LEN-H: High nibble length: number of high nibble data bytes, bits 4 through 7 must be set
(e.g. number of data bytes = 26_H ⇒ high nibble = 2 ⇒ 11110010_B)

LEN-L: Low nibble length: number of low nibble data bytes, bits 4 through 7 must be set
(e.g. number of data bytes = 26_H ⇒ low nibble = 6 ⇒ 11110110_B)

LEN-H und LEN-L only need to be transmitted if a checksum is used. If bit 1 in the FC byte is not set, LEN-H and LEN-L may not be transmitted!

migra MPB Interbus

Large Format, Graphics Compatible Display with InterBus Interface

3.5.2 Data Unit

Data Unit
Display Data
1B _H , 0A _H , 0D _H , 20 _H - FF _H

Data Unit: Data bytes (ASCII characters, control commands).

migra MPB Interbus

Large Format, Graphics Compatible Display with InterBus Interface

3.5.3 Trail

If bit 1 is not set in the FC byte (do not use checksum):

ETX
End of Text
00000011 _B

End of text: 03_H.

If bit 1 is set in the FC byte (use checksum):

CHK-H	CHK-L	ETX
High nibble from sum of all previous bytes (without STX)	Low nibble from sum of all previous bytes (without STX)	End of Text
1111XXXX _B	1111XXXX _B	00000011 _B

Checksum = low byte for sum of DA, SA, FC, LEN-H, LEN-L and all data bytes

CHK-H: High nibble for checksum: bits 3 through 0, bits 4 through 7 must be set (1)

CHK-L: Low nibble for checksum: bits 3 through 0, bits 4 through 7 must be set (1).

migra MPB Interbus

Large Format, Graphics Compatible Display with InterBus Interface

3.6 Description of the Data Unit for Online Frames

The display must be configured with the PC software (define character sets, graphics, texts, variables and macros). The individual elements included in the configuration which is uploaded to the display can then be used by the frames described in this chapter.

The display is delivered with a pre-programmed default configuration. However, you can create an individualised configuration for your own application and upload it to the display unit with the PC software. The existing default configuration is overwritten in the process.

All indices are 0-based, i.e. "000" is transmitted in order to query the first text. The position 0 / 0 (x / y) is the upper left-hand pixel at the display unit. All variables, graphics and texts are written to the display starting at the selected x and y coordinates, and then proceeding down and to the right. The display's physical limits may not be exceeded during this process (otherwise no display appears).

Note: All texts, graphics, variables, character set and bargraphs are 0-based (even in the PC software)!

Frames which contain no online text (ASCII codes 20_h through FF_h, 10_h and 13_h), start with the escape character (1B_h) as the first data byte. A separate frame must be transmitted for each escape sequence.

If response frames are used, the next frame can be transmitted immediately after receipt of the response. However, this may lead to delays in the execution of macros, moving screen texts and scrolling if the frame sequence is too fast.

If response telegrams are not used, a pause must be inserted between the frames as described in chapter "Online Frame Layout".

Data bytes included in the data unit must be in ASCII format!

Example, Specifying Position:

... 31_h 32_h 33_h ... must be transmitted for position 123_D!
(ASCII characters "1", "2" and "3.")

Refer to "Displayable Characters" for a table of displayable ASCII characters.

migra MPB Interbus

Large Format, Graphics Compatible Display with InterBus Interface

3.6.1 Online Texts

Online texts are transmitted without an escape sequence (ASCII codes 20_H - FF_H, 0A_H, 0D_H).

Transmitted ASCII characters are displayed with the current character set at the current cursor position in consideration of current attributes.

Line breaks are accomplished with the help of ASCII code 0A_H or 0D_H, or by transmitting the escape sequence for setting cursor position (ESC-“C”).

If the display limits are exceeded, read-out is continued at the next line, or at the first line of the display unit.

3.6.1.1 Selecting a Character Set

Byte 1	Byte 2	Byte 3	Byte 4
ESC	Function	Character set no. tens	Character set no. ones
1B _h	“Z”: normal character width “z”: uniform character width	“0” – “9”	“0” – “9”

Three character sets are included with the display unit upon delivery:

50 mm (1.97”) character set (character set “Z00”, “z00”)

75 mm (2.95”) character set (character set “Z01”, “z01”)

100 mm (3.94”) character set (character set “Z02”, “z02”).

Existing character sets are overwritten with the new character sets if a new configuration is uploaded to the display unit!

migra MPB Interbus

Large Format, Graphics Compatible Display with InterBus Interface

3.6.1.2 Positioning the Cursor

Byte 1	Byte 2	Byte 3	Byte 4	Byte 5	Byte 6	Byte 7	Byte 8
ESC	Function	x Position hundreds	x Position tens	x Position ones	y Position hundreds	y Position tens	y Position ones
1Bh	"C"	"0" – "9"	"0" – "9"	"0" – "9"	"0" – "9"	"0" – "9"	"0" – "9"

3.6.1.3 Configuring Attributes

Byte 1	Byte 2	Byte 3	Byte 4	Byte 5
ESC	Function	Foreground colour	Background colour	Blinking
1Bh	"A"	"0": black "1": green "2": red "3": yellow	"0": black "1": green "2": red "3": yellow "T": transparent	"0": static "1": blinking

migra MPB Interbus

Large Format, Graphics Compatible Display with InterBus Interface

3.6.2 Texts, Graphics, Variables and Bargraphs

3.6.2.1 Querying Text

Byte 1	Byte 2	Byte 3	Byte 4	Byte 5	Byte 6
ESC	Function	Display / Clear	Text no. hundreds	Text no. tens	Text no. ones
1B _h	„T“	“+”: display “-”: clear	“0” – “9”	“0” – “9”	“0” – “9”

When the display is cleared, the surface at which the text is displayed is overwritten with the current online background colour (from the last “ESC-A” frame)! Black is used if the background colour has been set to transparent!

3.6.2.2 Adjusting Speed for Moving Screen Texts

Byte 1	Byte 2	Byte 3
ESC	Function	Moving Screen Speed
1B _h	“L”	“0”: static “1”: 1.8 seconds : “9”: 0.2 seconds

All moving screen texts are set into motion at the selected speed. The default setting is “9” (0.2 seconds per step), and this setting is always activated each time the device is switched on.

3.6.2.3 Querying Graphics

Byte 1	Byte 2	Byte 3	Byte 4	Byte 5	Byte 6
ESC	Function	Display / Clear	Graphic no. hundreds	Graphic no. tens	Graphic no. ones
1B _h	“G”	“+”: display “-”: clear	“0” – “9”	“0” – “9”	“0” – “9”

When the display is cleared, the surface at which the text is displayed is overwritten with the current online background colour (from the last “ESC-A” frame)! Black is used if the background colour has been set to transparent!

migra MPB Interbus

Large Format, Graphics Compatible Display with InterBus Interface

3.6.2.4 Querying Variables

Byte 1	Byte 2	Byte 3	Byte 4	Byte 5	Byte 6
ESC	Function	Display / Clear	Var. no. hundreds	Var. no. tens	Var. no. ones
1B _h	"V"	"+": display "-": clear	"0" – "9"	"0" – "9"	"0" – "9"

When the display is cleared, the surface at which the variable is displayed is overwritten with the current online background colour (from the last "ESC-A" frame)! Black is used if the background colour has been set to transparent!

3.6.2.5 Setting the Variables

Byte 1	Byte 2	Byte 3	Byte 4	Byte 5.	Byte 6	Byte 7...133
ESC	Function	Set	Var. no. hundreds	Var. no. tens	Var. no. ones	Variable values
1B _h	"V"	"=": put	"0" – "9"	"0" – "9"	"0" – "9"	20 _h ...FF _h

Variables may include up to 127 characters (the length of the variables is set during configuration).

The same number of characters are overwritten at the variable as are transmitted with the frame.

In order to avoid flickering, the old display is not cleared until after the new display is read out!

The background colour used with the variables may not be transparent, and a character set with uniform character width should be used in order to assure correct display. Otherwise, the variable must be cleared prior to the change, and then displayed once again!

Variable content is stored to RAM only. After the device has been switched off and back on again, the variables are returned to their pre-configured values.

migra MPB Interbus

Large Format, Graphics Compatible Display with InterBus Interface

3.6.2.6 Increasing and Decreasing Variables

Byte 1	Byte 2	Byte 3	Byte 4	Byte 5	Byte 6
ESC	Function	Increase / Decrease	Var. no. hundreds	Var. no. tens	Var. no. ones
1B _h	„V“	“I”: increase or “D”: decrease	“0” – “9”	“0” – “9”	“0” – “9”

Only numeric characters are changed. Letters, commas etc. are skipped. The numeric characters are interpreted as a single decimal number. This decimal number is increased or decreased by 1.

In order to avoid flickering, the old display is not cleared until after the new display is read out!

The background colour used with the variables may not be transparent, and a character set with uniform character width should be used in order to assure correct display. Otherwise, the variable must be cleared prior to the change, and then displayed once again!

Variable content is stored to RAM only. After the device has been switched off and back on again, the variables are returned to their pre-configured values.

3.6.2.7 Positioning the Variables

Byte 1	Byte 2	Byte 3	Byte 4	Byte 5	Byte 6
ESC	Function	Set	Var. no. hundreds	Var. no. tens	Var. no. ones
1B _h	“V”	“P”: set position	“0” – “9”	“0” – “9”	“0” – “9”

Byte 7	Byte 8	Byte 9	Byte 10	Byte 11	Byte 12
x position hundreds	x position tens	x position ones	y position hundreds	y position tens	y position ones
“0” – “9”	“0” – “9”	“0” – “9”	“0” – “9”	“0” – “9”	“0” – “9”

Variable positioning is stored to RAM only. After the device has been switched off and back on again, the variables are returned to their pre-configured positions.

migra MPB Interbus

Large Format, Graphics Compatible Display with InterBus Interface

3.6.2.8 Querying Bargraphs

Byte 1	Byte 2	Byte 3	Byte 4	Byte 5	Byte 6
ESC	Function	Display / Clear	Bargraph-No. 100s	Bargraph-No. 10s	Bargraph-No. 1s
1Bh	„W“	„+“: display „-“: clear	„0“-„9“	„0“-„9“	„0“-„9“

Displaying a bargraph means to show the last sent value (which is equal to the reference value after RESET). If a variable is connected to the bargraph then it will be displayed, too.

Clearing a bargraph means to fill the bargraph area with the current online background colour (from the last „ESC-A“ frame). „Black“ is used if the online background colour has been set to „transparent“! If a variable is connected to the bargraph then it will be cleared, too.

At the moment no more than 255 bargraphs (numbers 0 to 254) are allowed.

Each connected variable may have a maximum number of 127 characters.

3.6.2.9 Setting Bargraphs

Byte 1	Byte 2	Byte 3	Byte 4	Byte 5	Byte 6	Byte 7
ESC	Function	Set	Bargraph-No. 100s	Bargraph-No. 10s	Bargraph-No. 1s	Kind of Data
1Bh	„W“	„=“: Set	„0“-„9“	„0“-„9“	„0“-„9“	„A“: ASCII-coded Decimal Value

Byte 8	Byte 9	Byte 10	Byte 11	Byte 12	Byte 13
Sign	Decimal Value 10000s	Decimal Value 1000s	Decimal Value 100s	Decimal Value 10s	Decimal Value 1s
„+“, „-“	„0“-„9“	„0“-„9“	„0“-„9“	„0“-„9“	„0“-„9“

migra MPB Interbus

Large Format, Graphics Compatible Display with InterBus Interface

If the bargraph is not displayed yet then this will be done now.

The bargraph-bar will be displayed corresponding to its position between the MIN- and MAX-borders which are defined within the configuration data. The bar always starts at the configured reference value. It ends at the position of the current value.

At the position of the reference value the bar will be shown in its configured colour.

Passing one of the colour-borders (starting at the reference value) the bar will be shown in a new colour (defined with the border) after this point.

Four colour-borders are defined. Each one must be in the range „MIN-border ... MAX-border“:

MIN-border \leq colour-border 1 \leq colour-border 2 \leq colour-border 3 \leq colour-border 4 \leq MAX-border

The PC-software ensures this rule !

Beside showing the bargraph as a multi-coloured bar (standard), it is also possible to show it as a single-coloured bar or as a single-coloured mark (depending on the configuration data - see PC-software). The colour of the single-coloured bar / mark is the same as the colour of the end-position of the multi-coloured bar.

If the current value is not in the range „MIN-border ... MAX-border“ then a blinking mark will be shown at the MIN- or MAX-border.

migra MPB Interbus

Large Format, Graphics Compatible Display with InterBus Interface

If a variable is linked to the bar graph, it is changed accordingly as well:

All digits occupied with the characters “#” and “*” are overwritten with the new value starting at the right.

If a variable is preset to “#”, preceding zeros are suppressed (i.e. replaced with blanks).

If a variable is preset to “*”, preceding zeros are displayed.

If a digit is occupied by the dollar sign (\$), it is overwritten with the new preceding plus or minus sign.

Example:	Variable preset	= “\$ #*,* m/s”
	Value	= -9 = “-00009”
	=> Display	= “- 0,9 m/s”

If minimum or maximum values are violated, the current values blinks at the display.

The background colour used for variables may not be transparent, and a character set with uniform character width should be used in order to assure correct display.

migra MPB Interbus

Large Format, Graphics Compatible Display with InterBus Interface

3.6.3 Direct Graphic Control

3.6.3.1 Clear Display and Fill

Byte 1	Byte 2	Byte 3
ESC	Function	Colour
1B _h	"F"	"0": black "1": green "2": red "3": yellow

3.6.3.2 Setting the Point

Byte 1	Byte 2	Byte 3	Byte 4	Byte 5	Byte 6	Byte 7	Byte 8	Byte 9
ESC	Function	Colour	x pos. hun- dreds	x pos. tens	x pos. ones	y pos. hun- dreds	y pos. tens	y pos. ones
1B _h	"P"	"0": black "1": green "2": red "3": yellow	"0" – "9"	"0" – "9"	"0" – "9"	"0" – "9"	"0" – "9"	"0" – "9"

3.6.3.3 Reading Out the Point from the Display

Query:

Byte 1	Byte 2	Byte 3	Byte 4	Byte 5	Byte 6	Byte 7	Byte 8	Byte 9
ESC	Function	Query code	x pos. hun- dreds	x pos. tens	x pos. ones	y pos. hun- dreds	y pos. tens	y pos. ones
1B _h	"P"	"?"	"0" – "9"	"0" – "9"	"0" – "9"	"0" – "9"	"0" – "9"	"0" – "9"

Response:

Colour information (with header and trail)

Byte 1	Byte 2	Byte 3
ESC	Function	Colour
1B _h	"P"	"0": black "1": green "2": red "3": yellow

migra MPB Interbus

Large Format, Graphics Compatible Display with InterBus Interface

3.6.3.4 Drawing a Rectangle

Byte 1	Byte 2	Byte 3	Byte 4
ESC	Function	Foreground colour (perimeter)	Background colour (filling)
1B _h	"R"	"0": black "1": green "2": red "3": yellow	"0": black "1": green "2": red "3": yellow "T": transparent

Upper Left-Hand Corner Position:

Byte 5	Byte 6	Byte 7	Byte 8	Byte 9	Byte 10
x position hundreds	x position tens	x position ones	y position hundreds	y position tens	y position ones
"0" – "9"	"0" – "9"	"0" – "9"	"0" – "9"	"0" – "9"	"0" – "9"

Lower Right-Hand Corner Position:

Byte 11	Byte 12	Byte 13	Byte 14	Byte 15	Byte 16
x position hundreds	x position tens	x position ones	y position hundreds	y position tens	y position ones
"0" – "9"	"0" – "9"	"0" – "9"	"0" – "9"	"0" – "9"	"0" – "9"

The perimeter of the rectangle is drawn with the foreground colour.
The rectangle is filled with the background colour.

migra MPB Interbus

Large Format, Graphics Compatible Display with InterBus Interface

3.6.3.5 Scrolling

3.6.3.5.1 Displays with vertical Resolution < 64 Pixels

Byte 1	Byte 2	Byte 3	Byte 4	Byte 5	Byte 6	Byte 7	Byte 8	Byte 9
ESC	Function	Direction	Speed	Increment	Start line tens	Start line ones	End line tens	End line ones
1B _h	„S“	“0”: off “1”: up “2”: down	“0”: static “1”: 1.8 sec “9”: 0.2 sec	“1”: 1 pixel “9”: 9 pixels “0”: no scrolling	“0”-“9”	“0”-“9”	“0”-“9”	“0”-“9”

Scrolls once through a portion of the screen from the start line to the end line (speed = “static”) or cyclically in steps with a value ranging from 1 to 9 pixels.

The Y positions of the first and last pixel lines within the scrolling range define the start and end lines (end line > start line!). Only the last selected scrolling range is used!

migra MPB Interbus

Large Format, Graphics Compatible Display with InterBus Interface

3.6.3.5.2 Displays with vertical Resolution > 64 Pixels

Byte 1	Byte 2	Byte 3	Byte 4	Byte 5	Byte 6	Byte 7	Byte 8	Byte 9	Byte 10	Byte 11
ESC	Function	Direction	Speed	Increment	Start line hundreds	Start line tens	Start line ones	End line hundreds	End line tens	End line ones
1B _h	„S“	“0”: off “1”: up “2”: down	“0”: static “1”: 1.8 sec “9”: 0.2 sec	“1”: 1 pixel “9”: 9 pixels “0”: no scrolling	“0”-“9”	“0”-“9”	“0”-“9”	“0”-“9”	“0”-“9”	“0”-“9”

Scrolls once through a portion of the screen from the start line to the end line (speed = “static”) or cyclically in steps with a value ranging from 1 to 9 pixels.

The y position of the first and last pixel lines within the scrolling range define the start and end lines (end line > start line!). Only the last selected scrolling range is used!

migra MPB Interbus

Large Format, Graphics Compatible Display with InterBus Interface

3.6.4 General Functions

3.6.4.1 Selecting Blinking Period Duration

Byte 1	Byte 2	Byte 3
ESC	Function	Blinking period duration
1B _h	"B"	"0": 2 seconds : "9": 0.2 seconds

The selected blinking period duration is assigned to all blinking texts.
The default value ("9") is activated each time the device is switched on.

3.6.4.2 Adjusting Brightness

Byte 1	Byte 2	Byte 3	Byte 4	Byte 5	Byte 6
ESC	Function	Colour	Brightness hundreds	Brightness tens	Brightness ones
1B _h	"H"	"1" – "2"	"0" – "1"	"0" – "9"	"0" – "9"

Within a range of 0 to 100 % for each of the following colours:

"1" = green

"2" = red.

migra MPB Interbus

Large Format, Graphics Compatible Display with InterBus Interface

3.6.5 Macros

Macros are predefined command sequences included in the device configuration. They are analogous to the data units in the online frames.

The first macro is executed after the device is switched on (if one exists). Subsequent macros are executed every 100 ms. Macro execution is stopped after the last macro has been executed.

3.6.5.1 Start Macro Execution

Byte 1	Byte 2	Byte 3	Byte 4	Byte 5
ESC	Function	Macro no. hundreds	Macro no. tens	Macro no. ones
1B _h	„M“	“0” – “9”	“0” – “9”	“0” – “9”

Execution starts with the indicated macro.

Skipping is also possible during macro execution through the use of this command within a macro sequence.

3.6.5.2 Pause during Macro Execution

Byte 1	Byte 2	Byte 3	Byte 4	Byte 5
ESC	Function	Pause duration hundreds	Pause duration tens	Pause duration ones
1B _h	„W“	“0” – “9”	“0” – “9”	“0” – “9”

Sets the time which elapses until the next macro is executed (in steps of 100 ms).

A macro is normally executed every 100 ms until the last macro has been completed.

After the ESC + “w...” sequence, macro execution is stopped for the indicated pause duration.

This sequence can be used as part of a macro, as well as part of a receive message.

migra MPB Interbus

Large Format, Graphics Compatible Display with InterBus Interface

3.6.5.3 Stop Macro Execution

Byte 1	Byte 2
ESC	Function
1B _h	"E"

migra MPB Interbus

Large Format, Graphics Compatible Display with InterBus Interface

3.7 Response Frames

A response frame is only transmitted if the corresponding bit (bit 0) was set in the FC byte, and if the broadcast address (127) has not been used as the destination address.

Example: display address = 1, master address = 0

Response frame from the display to the master:

STX	DA	SA	FC	Data-Unit	ETX
Start of text	Destination address	Source address	Frame control	Error code	End of text
00000010 _B	10000000 _B	10000001 _B	10000000 _B		00000011 _B
2	128	129	128	"0" – "5"	3

Error Codes and their Meanings:

Value (ASCII character)	Meaning
"0"	No error
"1"	Incorrect checksum
"2"	Reserved
"3"	Incorrect number of data bytes (LEN-H/L), invalid escape sequence
"4"	Element (text, variable, graphic, character set or macro) is missing, invalid parameter
"5"	Invalid flash

The queried information is returned instead of error code "0" for frames which require a response ("reading out decimal point from the display").

The error code in the response frame always relates to the last partition frame.

migra MPB Interbus

Large Format, Graphics Compatible Display with InterBus Interface

3.8 Multiple ESC-Sequences

It is possible to combine several partition frames in one complete frame. This applies to the standard controlling and to the macro list.

The partition frames can be a ESC-sequence or a online text each.

If a online text shall follow after the ESC-sequence, it must be separated with the "separator sign" $31_D = 1F_H$ from the ESC-sequence. The separator itself is not evaluated.

The maximum length of the data unit of a complete frame is 230 characters.

Example:

Data unit = $1B_H$ „Z01“ $1B_H$ „C002003“ $1B_H$ „A301“ $1F_H$ „online text“

=> An "online text" with character set 1, on cursor position x=2, y=3 with foreground colour „yellow“ and background colour „black“ is displayed (blinking).

migra MPB Interbus

Large Format, Graphics Compatible Display with InterBus Interface

3.9 Examples

Read out online text to the Display at address 1:

1. Without checksum, with response

STX	DA	SA	FC	Data-Unit	ETX
Start of text	Display address	Source address	Frame control	"Hello world"	End of text
00000010 _B	10000001 _B	10000000 _B	10000001 _B		00000011 _B
2	129	128	129	...	3

Response from Display if no errors occur:

STX	DA	SA	FC	Data-Unit	ETX
Start of text	Destination address	Source address	Frame control	Error code	End of text
00000010 _B	10000000 _B	10000001 _B	10000000 _B		00000011 _B
2	128	129	128	"0"	3

2. With checksum and response (in short form)

The character "A" is to be displayed at the Display at address 1:

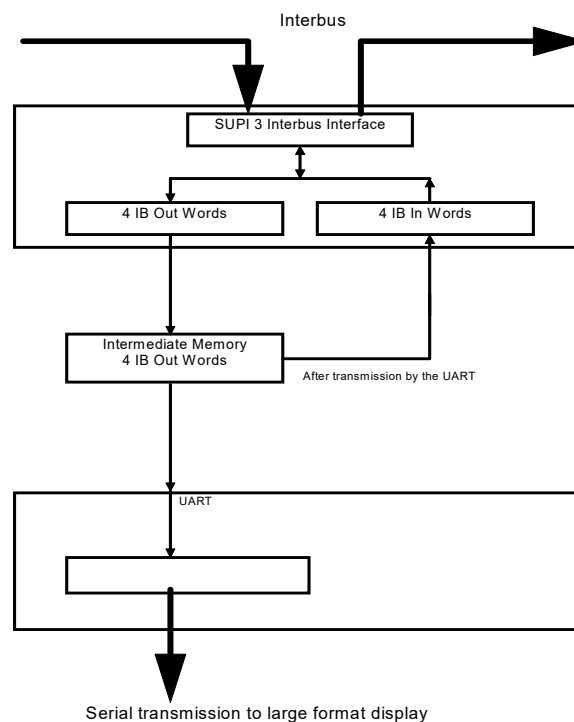
Master: 02 81 80 83 F0 F1 **41** FA F6 03
 Large Format Display: 02 80 81 80 30 03

migra MPB Interbus

Large Format, Graphics Compatible Display with InterBus Interface

3.10 Control via the InterBus Interface

Data received by the InterBus („out“ words) are stored to intermediate memory, processed and transmitted to the large format display. After the frame has been transmitted, the frame data are mirrored via the InterBus as a response („in“ words).



3.10.1 User Data – IB Output

The large format alphanumeric display utilises 4 IB output words. These are used for transmission of user data which are required for control of the large format display. If data are available from the InterBus, these are stored to intermediate memory for further processing.

migra MPB Interbus

Large Format, Graphics Compatible Display with InterBus Interface

3.10.2 User Data – IB Input

The large format alphanumeric display utilises 4 IB input words. These are used as a response to user data which have been transmitted to the large format display. After transmission of each frame, the IB data which have just been transferred to the large format LED display are mirrored in response to the „in“ words.

3.10.3 Toggle Byte

The interface at the large format display is driven with the first byte of output data.

The first byte of output data is saved to intermediate memory immediately after the InterBus interface has been initialised (first of all it must be „0“), and is then always compared with the respectively current content of the first byte of output data. As soon as the value of the first byte of output data is changed, subsequent output data are evaluated and interface data are transmitted to the large format display if appropriate. The only evaluation criterion is a change of content – the actual content itself is irrelevant.

migra MPB Interbus

Large Format, Graphics Compatible Display with InterBus Interface

3.10.4 Interface Data

The large format display expects to receive interface data as of the 2nd byte of output data. These are transmitted after a change of content has occurred to the toggle byte.

3.10.5 Interbus Frame Layout for Display Control

Data structure at InterBus side (output: master to display)

1	2	3	4	5	6	7	8
Toggle byte	Data byte 1	Data byte 2	Data byte 3	Data byte 4	Data byte 5	Data byte 6	Data byte 7

Data structure at InterBus side (input: display to master)

1	2	3	4	5	6	7	8
Toggle byte	Data byte 1	Data byte 2	Data byte 3	Data byte 4	Data byte 5	Data byte 6	Data byte 7

The following must be observed in order to transmit a protocol to the large format display:

- * The protocol at the large format LED display is subdivided into blocks of 7 bytes each, which are transmitted one after the other.
- * The InterBus interface accepts output data transmitted by the IB master (7 bytes) as soon as the toggle byte has been changed. As soon as transmission of the 7 bytes of frame data to the large format display is concluded, the output data transmitted by the IB master are mirrored to the input data at the IB master (8 bytes).
- * The next block cannot be transmitted until input and output data are identical (the comparison of the toggle byte is sufficiently).
- * If the last block of the protocol requires less than 7 bytes, the unused bytes must be set to 00h (they are not sent).
- * The pause between the transmission of individual data blocks within a given frame must be less than 30 ms!

migra MPB Interbus

Large Format, Graphics Compatible Display with InterBus Interface

Example: Display the word “TEST” as online text at the large format display with address no. 1

Transmission of block 1

1	2	3	4	5	6	7	8
Toggle byte	02 _H	81 _H	80 _H	80 _H	“T”	“E”	“S”

First change bytes 2 through 8, then change byte 1!

Do not begin with transmission of block 2 until response has been received (8 bytes of output data are mirrored to the input data)!

Transmission of block 2

1	2	3	4	5	6	7	8
Toggle byte	“T”	03 _H	00 _H	00 _H	00 _H	00 _H	00 _H

First change bytes 2 through 8, then change byte 1!

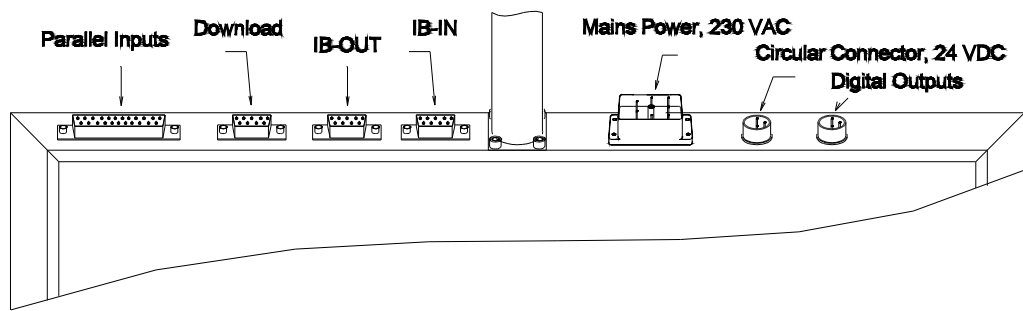
The togglebyte of the current block must be changed at the latest 30 ms after the togglebyte of the prior block (otherwise the display would recognize the single blocks not as a related telegram).

After an entire frame has been transmitted, a waiting period of at least 200 ms must be observed before the next frame can be transmitted!

migra MPB Interbus

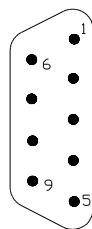
Large Format, Graphics Compatible Display with InterBus Interface

4 Connector Pin Assignments



9-Pin Sub-Miniature Plug Connector (Download)

According to the ordering option, the download happens via a RS232- or a RS485 interface.



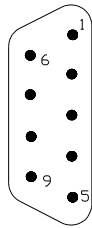
Pin	RS 232	RS485
1	n.c.	n.c.
2	RxD	n.c.
3	TxD	Rx+ / Tx+
4	n.c.	n.c.
5	GND	GND *
6	n.c.	5VDC *
7	n.c.	n.c.
8	n.c.	Rx- / Tx-
9	n.c.	n.c.

* If an external bus termination is needed, these pins can be used.

migra MPB Interbus

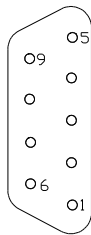
Large Format, Graphics Compatible Display with InterBus Interface

9-Pin Sub-Miniature Plug Connector (InterBus-Interface)



Pin	IB-IN
1	DO
2	DI
3	COM
4	n.c.
5	n.c.
6	/DO (inverted)
7	/DI (inverted)
8	n.c.
9	n.c.

9-Pin Sub-Miniature Female Connector (InterBus-Interface)



Pin	IB-OUT
1	DO
2	DI
3	COM
4	n.c.
5	Termination* (+ 5 VDC)
6	/DO (inverted)
7	/DI (inverted)
8	n.c.
9	Termination* (RBST)

Termination*:

If a further device is connected, pin 5 must be bridged to pin 9.
 If no further device is connected, pin 5 is not bridged to pin 9.

7-Pole Mains Plug (230 VAC)

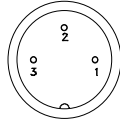


PIN	Assignment
1	L1
2	N
(PE)	PE

migra MPB Interbus

Large Format, Graphics Compatible Display with InterBus Interface

3-Pin Circular Plug (24 VDC)

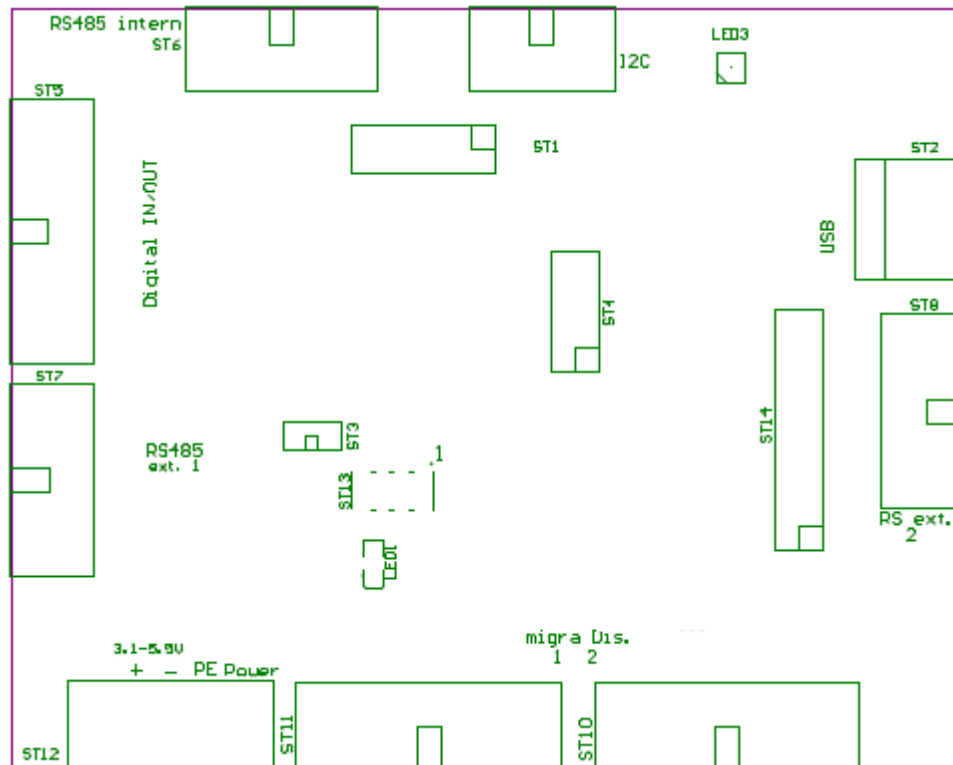


PIN	Assignment
1	GND
2	+ 24 VDC
3	PE

migra MPB Interbus

Large Format, Graphics Compatible Display with InterBus Interface

4.1 Interface Configuration



The display unit is delivered with the following default settings:

- Baud rate: 19200 baud
- Data bits: 8
- Parity: even
- Stop bits: 1.

For setting the serial interfaces the PC software MKS is mandatory.

migra MPB Interbus

Large Format, Graphics Compatible Display with InterBus Interface

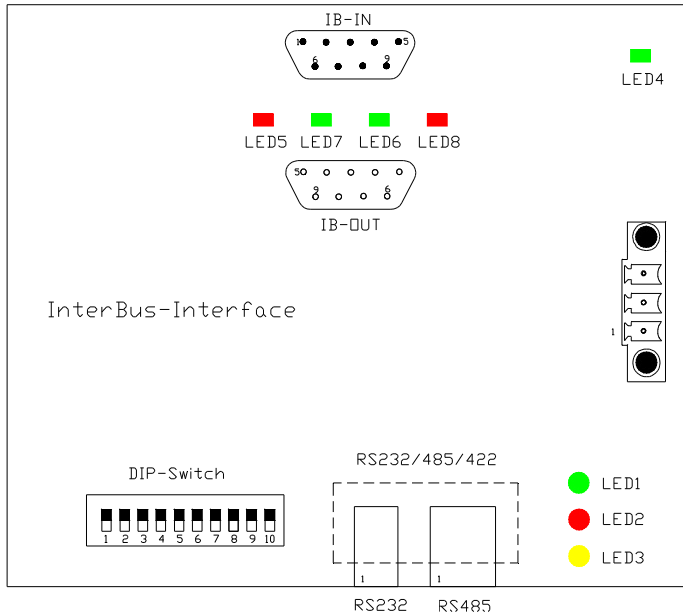
4.2 LEDs

LED	Function / Description	
LED 1 (green)	Power-up:	Blinks at a frequency of approx. 2,5 Hz
	Normal operation:	Blinks at a frequency of approx. 5 Hz
	Boot mode:	Blinks at a frequency of approx. 0,5 Hz
	Software upload:	Flickers during the upload
	Configuration:	
	Defective MKS:	Blinks with an Error Code: 1x
LED 3 (blue)	Defective Micon:	Blinks with an Error Code: 2x
	Video-signal:	On
	No Video-signal:	Off

migra MPB Interbus

Large Format, Graphics Compatible Display with InterBus Interface

4.3 InterBus-Interface



LED	Description	Status	Meaning
1 (green)	RUN	blinks at approx 2 Hz	CPU-activity
2 (red)	ERROR/UART	blinking On	UART-communication UART-Error
3 (yellow)	BUS	On	cyclic IB-data transmission
4 (green)	SUPI 3-Watchdog	On	normal operation after RESET
5 (red)	ER	On	Error at the IB-module
6 (green)	BA	On Off	bus activity no bus activity since at least 630 ms (Watchdog expired)
7 (green)	CC	On	cable connection of the incoming bus OK and no Interbus-RESET
8 (red)	RD	On	Interbus-RESET or continuing IB-Interface disengaged

migra MPB Interbus

Large Format, Graphics Compatible Display with InterBus Interface

DIP Switch

RS Baud rate / Receiving timeout	DIP 3	DIP 2	DIP 1
1200 Baud / 28 ms	OFF	OFF	OFF
2400 Baud / 14 ms	OFF	OFF	ON
4800 Baud / 7 ms	OFF	ON	OFF
9600 Baud / 4 ms	OFF	ON	ON
19200 Baud / 2 ms (Default RS setting))	ON	OFF	OFF
38400 Baud / 1 ms	ON	OFF	ON
57600 Baud / 1 ms	ON	ON	OFF
115200 Baud / 1 ms	ON	ON	ON

RS Parity / Receiving timeout	DIP 5	DIP 4
no (8N1) / see above	OFF	OFF
even (8E1) / see above (Default RS setting)	OFF	ON
odd (8O1) / see above	ON	OFF
no (8N1) / 30 ms*	ON	ON

*A receiving timeout of 30 ms is used. In operation mode „transmit interface“ the interface works with the setting „7N2“.

Operation mode	DIP 6
Universal interface	ON
Transmit interface (Default RS setting)	OFF

Bus termination	DIP 7	DIP 8	DIP 9	DIP 10
RS 485 set	ON	ON		
RS 485 not set	OFF	OFF		
RS 422 set	ON	ON	ON	ON
RS 422 not set	OFF	OFF	OFF	OFF

migra MPB Interbus

Large Format, Graphics Compatible Display with InterBus Interface

5 Appendix

5.1 Displayable Characters

Data bytes are ASCII coded.

Character set: all ASCII characters within a range of 20H to FFH.

Sample character set:

Lower \ Higher	bin hex	0000 0	0001 1	0010 2	0011 3	0100 4	0101 5	0110 6	0111 7	1000 8	1001 9	1010 A	1011 B	1100 C	1101 D	1110 E	1111 F
bin hex xxxx0000 0		X	X		0	@	P	`	p	X	X	X	X	X	X	X	X
xxxx0001 1		X	X	!	1	A	Q	a	q	ü	X	X	X	X	X	X	X
xxxx0010 2		X	X	"	2	B	R	b	r	ß	X	X	X	X	X	X	X
xxxx0011 3		X	X	#	3	C	S	c	s		X	X	X	X	X	X	X
xxxx0100 4		X	X	\$	4	D	T	d	t	ä	ö	X	X	Ä	X	ä	X
xxxx0101 5		X	X	%	5	E	U	e	u		X	X	X	X	X	X	X
xxxx0110 6		X	X	&	6	F	V	f	v		X	X	X	X	Ö	X	ö
xxxx0111 7		X	X	'	7	G	W	g	w		X	X	X	X	X	X	X
xxxx1000 8		X	X	(8	H	X	h	x		X	X	X	X	X	X	X
xxxx1001 9		X	X)	9	I	Y	i	y		X	ö	X	X	X	X	X
xxxx1010 A	<CR>*	X	X	*	:	J	Z	j	z		X	Ü	X	X	X	X	X
xxxx1011 B		X	X	+	:	K	[k	{		X	X	X	X	X	X	X
xxxx1100 C		X	X	,	<	L	\	l			X	X	X	X	X	Û	X
xxxx1101 D	<CR>*	X	X	-	=	M]	m	}		X	X	X	X	X	X	X
xxxx1110 E		X	X	.	>	N	^	n	~		X	X	X	X	X	X	X
xxxx1111 F		X	X	/	?	O	_	o	■		X	X	X	X	X	ß	X

X means not available

*Carriage Return: The cursor jumps to the beginning of the next line.

Any Windows character set, as well as any user defined character set can be used.

migra MPB Interbus

Large Format, Graphics Compatible Display with InterBus Interface

5.2 Maintenance and Care

Observe the following instructions in order to assure best possible performance of the display:

- Make sure that the housing can be opened for adjustment and maintenance even after the display has been installed. Allow for adequate clearance at the back, front and top of the display unit in order to allow for sufficient ventilation (if vent slots are included).
- Display quality is impaired by direct illumination with bright light sources and/or direct sunlight.
- The display must be switched off before cleaning.
- Protect the display from excessive humidity, extreme vibration, direct sunlight and extreme temperatures. Non-observance may lead to malfunctioning or destruction of the device. Under certain circumstances electrical shock, fire and explosion may occur as well. Information concerning allowable ambient conditions, including recommended temperature ranges, can be found in the chapter entitled "Technical Data".
- The display may not be placed into service if the device and/or the power cable are known to be damaged.
- Do not attempt to repair the device yourself. The guarantee is rendered null and void if the device is tampered with by unauthorised persons.
- Observe all notes and instructions included in this user's manual.

migra MPB Interbus

Large Format, Graphics Compatible Display with InterBus Interface

5.3 Declaration of Conformity

EU-Konformitätserklärung

EU Declaration of Conformity

Produktbezeichnung: migra
Product name:

Typenreihe: migra Interbus
Type code:

Hersteller: microSYST Systemelectronic GmbH
Manufacturer: Am Gewerbepark 11
 92670 Windischeschenbach

Das bezeichnete Produkt stimmt mit der folgenden Europäischen Richtlinie überein: <i>We herewith confirm that the above mentioned product meets the requirements of the following standard:</i>		Die Übereinstimmung des bezeichneten Produktes mit den Vorschriften der angewandten Richtlinie(n) wird nachgewiesen durch die Einhaltung folgender Normen / Vorschriften: <i>The conformity of the product described above with the provisions of the applied Directive(s) is demonstrated by compliance with the following standards / regulations:</i>
Richtlinien / Directives		Europäische Norm / Standard
EMV Richtlinie <i>EMC Directive</i>	2014/30/EU	EN61000-6-2:2005
		EN61000-6-4:2007 +A1:2011
Niederspannungs-Richtlinie <i>Low Voltage Directive</i>	2014/35/EU	EN IEC 62368-1:2021-05
RoHS Richtlinie <i>RoHS Directive</i>	2011/65/EU	EN50581:2012

Windischeschenbach, 04.05.2021



Manuel Raß

Geschäftsführer / General Manager

migra MPB Interbus

Large Format, Graphics Compatible Display with InterBus Interface

5.4 Warranty / Liability

For the product, liability is assumed for defects, which existed at the delivery date according to our General Terms and Conditions.

Technically changes as well as errors are excepted. A claim for delivery of a new product does not exist. The buyer has to check the received product immediately and indicate evident defects at the latest 24 hours after detection. Non-observance of notification requirements is equated with acceptance of the defect. Not immediately visible defects have to be indicated immediately after their perception too.

Generally, defects and their symptoms must be described as accurately as possible in order to allow for reproducibility and elimination. The buyer must provide for access to the relevant device and all required and/or useful information at no charge and must make all of the required data and machine time available free of charge.

The guarantee does not cover defects, which result from non-observance of the prescribed conditions of use, or from improper handling.

If the device has been placed at the disposal of the buyer for test purposes and has been purchased subsequent to such testing, both parties agree that the product is to be considered "used" and that it has been purchased "as is". No guarantee claims may be made in such cases.

The General Terms and Conditions of microSYST Systemelectronic GmbH in current version apply as well.

migra MPB Interbus

Large Format, Graphics Compatible Display with InterBus Interface

5.5 Versions Overview

Ver.	Date	Remark, Description
1.00	5/25/00	
2.00	4/4/01	Bargraph
2.01	6/20/01	
2.10	12/13/01	Kreuzer: Layout
2.20	12/19/01	Kreuzer: New IB-Interface (EBG194)
2.30	12/19/01	Kreuzer: Housing dimensions changed
2.40	2/6/02	Kreuzer: Receiving timeout changed
2.50	5/6/02	Kreuzer: New dummy „*“ added
3.00	11/20/02	Kreuzer: Pin assignment RS232 changed
3.10	12/17/02	Kreuzer: New logo
3.20	5/6/02	Kreuzer: Pin assignment RS485 added
3.30	10/8/03	Kreuzer: New control unit
3.40	3/7/06	Kreuzer: Maximum resolution is 4x12 display modules, several ESC sequences in a row are possible, signed integer coded decimal values at bargraphs removed, separator between several partition frames
3.50	8/16/10	Technical data updated
3.60	3/25/13	Company address, declaration of conformity, warranty
3.70	10/18/13	Logo
3.80	3/19/15	SC/MC removed, description of controller board
3.90	4/29/16	Declaration of conformity
4.00	11/24/16	migra → migra MPB
4.10	11/13/17	Change of address and title MPB
4.20	5/4/21	Declaration of conformity

Certified per **DIN EN ISO 9001**.